



# PDS30

## Power Drive Straddle Trucks

**SHORT TURNING RADIUS MAKES THE PDS AN EXCELLENT CHOICE FOR NARROW AISLES, TOOL ROOMS OR STREET LOADING APPLICATIONS**



### CAPACITY

3000 lbs. at 24" load center

### BATTERY

Compartment: 26.37" x 9.06" x open. Anderson 175 Gray—A-11 Minimum battery weight 480 lbs.

### SPEED

ZAPI travel controller

### TRAVEL

Variable from 0 mph to 3.4 mph empty  
Variable from 0 mph to 3.1 mph loaded

### LIFT

Up to 40 fpm empty.  
Up to 35 fpm loaded—3000lbs

### LOWERING

Up to 29 fpm empty.  
Up to 57 fpm loaded—3000 lbs.

### TIRES / WHEELS

#### DRIVE

9" x 3" polyurethane

#### DUAL LOAD

(2) 4" x 2.9" polyurethane

### HYDRAULICS

Lift cylinder has hard chrome plated rods. Pump unit including motor, solenoid, gear pump, and pressure compensated lowering valve are mounted high in the power compartment for ease of service.

### ELECTRICAL

24-Volt ZAPI AC O inverter, travel control with matching drive motor provide high performance throughout the entire speed range. Travel speed remains constant relative to throttle position regardless of load. Separately fused power control circuits, quick disconnect EPD power cut off, and hour meter / battery discharge indicator combination gauge complete the system. Power configurations and diagnostic features are displayed with a ZAPI handheld console.

### BRAKES

Regenerative electromagnetic brake is mounted on the motor armature shaft multiplying the braking power through the transmission.

Brake is applied when the control arm is in the vertical or horizontal handle position. Travel speed is reduced when forks are above 12" fork height. Neutral braking resists roll back on ramps.

### CONTROLS

Travel, lift, and lower functions are located in the ergonomic operator handle. All operator controls are accessible without having to lift the hand from the handle.

Angle grips are designed to allow easy operation with either hand. Wrap around guard, reversing switch, thumb control, and horn are standard.

Top mounted tiller arm offers excellent operator comfort and minimum steering effort. Gas assisted spring gently returns handle to vertical position.

### TRANSMISSION

Vertically mounted drive motor is direct mounted to gear housing. Oil bathed ZF GK10 hypoid bevel gear drive train with tapered roller bearings transfers power to axle. State of the art optimized gear technology supplies advantages such as minimal envelope circle, zero maintenance, low noise level, high efficiency and high performance.

### FRAME AND MAST

Bolt-on high visibility mast, features I-beam construction, with lift cylinders positioned on the outer I-beam for best view through mast. Dual lift chains.

Straddle leg inside dimension (ID) can be set at 42" to 50" in 4" increments; 42" to 50" with the triple stage mast

Class two ITA fork carriage with 36" tall load back rest. Forks are adjustable from 8" ID to 30" OD

### BEARINGS

DRIVE WHEEL-Tapered roller bearings sealed in oil bath

LOAD WHEELS-Sealed ball bearings

### ACCESSIBILITY

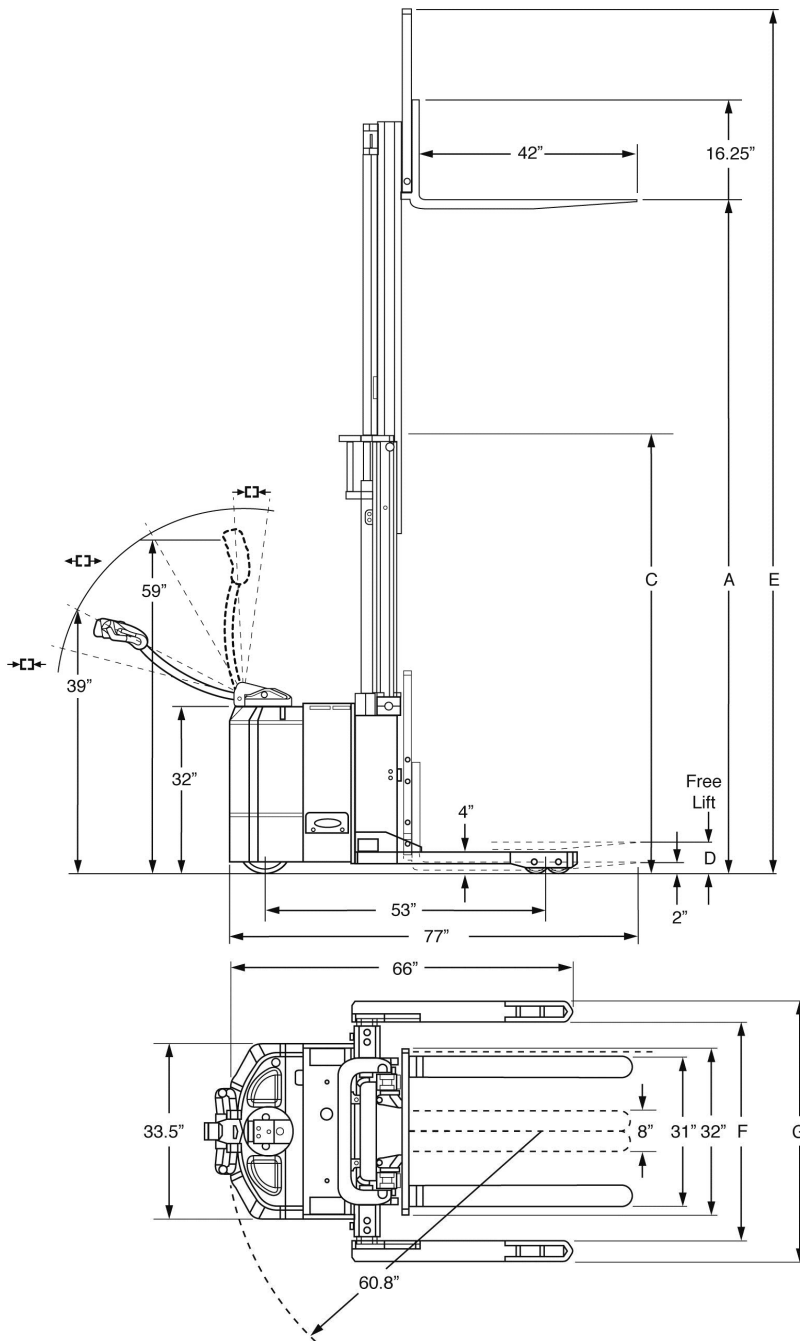
Removal of two piece power head cover exposes major components for inspection and maintenance

### STANDARD EQUIPMENT

- Adjustable Straddle Legs
- Regenerative Neutral Braking
- Creep Speed Handle Control
- Gas Assist Spring Handle
- Low Battery  Interrupt
- Hour Meter BDI Combo Gauge
- Key Switch

### OPTIONAL EQUIPMENT

- 48" tall load backrest
- Cold conditioning
- Side-Shifting Fork Carriage
- Four Pack Power MF 224 AH / 5.4 kwh 110VAC plug-in charger
- Industrial Battery 255 AH 5.9 kwh

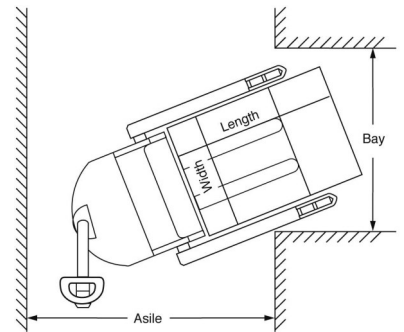


### Aisle Guide

PDS30 - Right Angle Stacking

Load Width	Load Length		
	36"	40"	48"
36"	67.6"	67.6"	67.6"
40"	69.1"	69.1"	69.1"
48"	73.4"	73.4"	73.4"

For ease of use add 8" to aisle dimension listed. If sideshift option is used add 2".



Aisle dimensions listed above assume the minimum bay width to be straddle OD plus 5" (2.5" on each either side of straddle leg). Straddle OD is the load width plus 10". Truck performance may vary due to application requirements and changes in model design.

Model #	Mast	Lift Height	Col Height	Free Lift	Ext Height w/LBR	<sup>2</sup> Adjustable Straddle Leg 4" Increments		<sup>3</sup> Weight Chassis Only
		A	C	D	E	ID F	OD G	

### 3000 Capacity @ 24" Load Center ITA Class II Fork Carriage

PDS30-104	Two Stage	104	71	6	142	42 to 50	50 to 58	2042
PDS30-126	Two Stage	126	83	6	165	42 to 50	50 to 58	2172
PDS30-142	Two Stage	142	91	6	178	42 to 50	50 to 58	2239
PDS30-157	TriMast	157	71	50	193	42 to 50	50 to 58	2444
*PDS30-177	TriMast	177	79	58	213	42 to 50	50 to 58	2539

\*Derates 1000 LBS above 162"

<sup>2</sup> Minimum inside dimension (ID) 42" Outside dimension = inside dimension + 8"

<sup>3</sup> Estimated shipping weight without battery